

ALU SGN LED



CE IP40



ALU SGN LED is a low power surface mounted and suspended LED luminaire designed for emergency escape lighting. Its main task is to indicate escape routes by means of internally illuminated evacuation sign in the ISO 7010 standard.

There is also an **ALU 4W** luminaire, special version that allows you to additionally highlight the escape routes and fire points (see „SPECIAL CONSTRUCTION“).

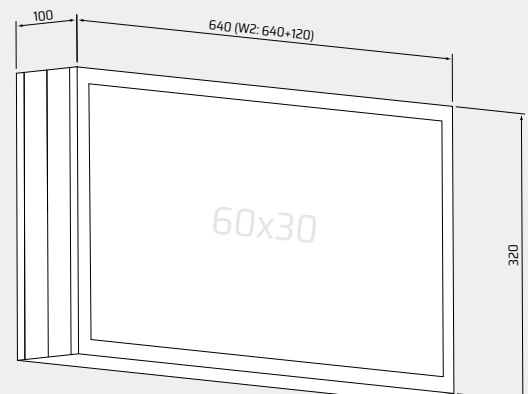
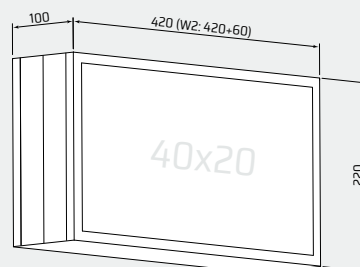
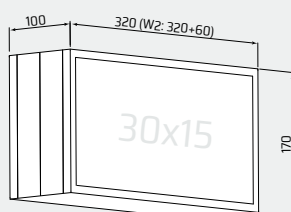
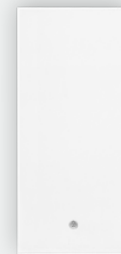
ALU SGN LED is compatible with all emergency lighting systems offered by HYBRID.

Safety sign visibility:

30x15cm  30m

40x20cm  40m

60x30cm  60m



LUMINAIRE FEATURES

- Luminaire shows the directions of escape
- LED indicators signalling the luminaire state
- Deep discharge battery protection
- Maintained/non-maintained operation mode
- Possibility of connecting to the monitoring system or collective power supply system
- A lot of mounting types
- Housing is made of aluminum, lamp shade of PC
- Installation inside the building
- Three size variants

TECHNICAL DATA

Supply voltage	ST, AT, CT	230V AC 50/60Hz
	CB	230V AC 50/60Hz 80-275V DC
	CBAM	230V AC 50/60Hz 170-275V DC
	LVAM	15-32V DC
Protection class	ST, AT, CT, CB, CBAM	I
	LVAM	III
Ingress protection		IP40
Light source		LED Strips ¹⁾
Light colour temperature		5000K

Colour rendering index		70
Light source supply power		2W, 4W
Minimum luminous flux (4W)		195lm
Light source lifespan		> 50 000h
Battery type	ST, AT, CT	Ni-Cd, Ni-MH
Battery recharging time	ST, AT, CT	< 24h
Emergency operation time	ST, AT, CT	1h, 3h
Ambient temperature	ST, AT, CT	+5 - +45°C
	CB, CBAM	-10 - +55°C
	LVAM	-25 - +60°C
Through wiring		YES

¹⁾ Non-exchangeable, but serviceable light source

AVAILABLE SYSTEMS

ST - STANDARD - tests commissioned manually

AT - AUTOTEST - internal components, battery and light source tests being performed automatically

CT - CENTRALTEST - internal components, battery and light source tests being performed on command from the main unit of central management system H-300


CB - luminaire supplied from HVCBS (230V AC/ 216V DC), without address module

CBAM - luminaire supplied from the HVCBS (230V AC/ 216V DC), with built-in address module and operating mode selection

LVAM - luminaire supplied with 24V DC from the LVDBS system, with built-in address module and operating mode selection

MATERIAL

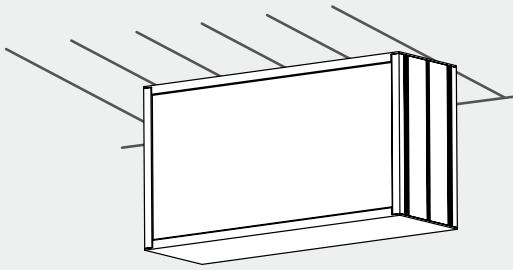
Housing material - powder coated aluminium

Housing colour -  RAL 9003, other colours on special order

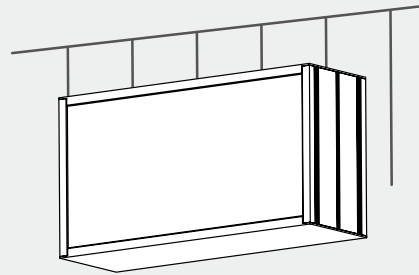
Lamp shade material - PC plate

MOUNTING TYPES

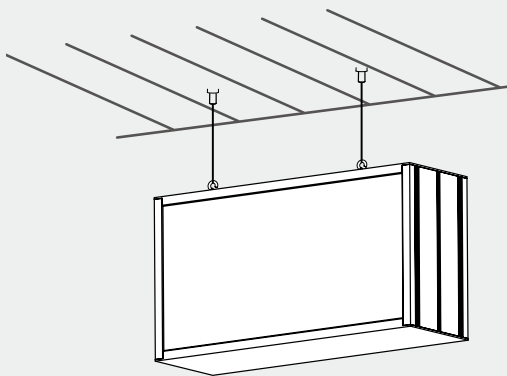
C2 - directly to the ceiling



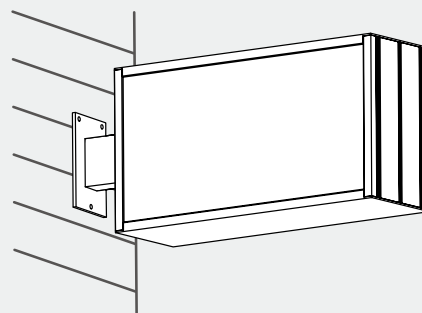
W1 - back to the wall



C2 + C202 (hooks) - suspended

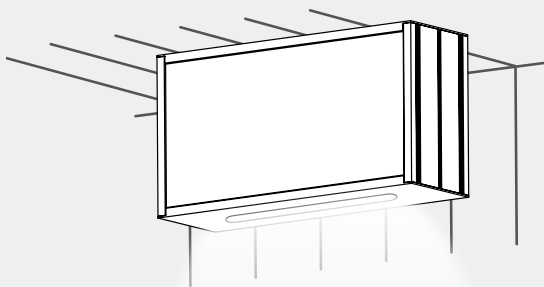


W2 - side to the wall (semaphore)

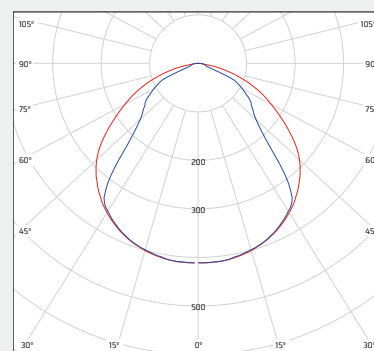


SPECIAL CONSTRUCTION

ALU 4W - exit sign and backlight



DISTANCE TABLE



cd/klm — — C0 - C180 — C90 - C270

SAFETY SIGNS

P04



PI05



PI06



PI15



PI17



PI18



PI21



PI22



PI23



PI24



PI25



PI26



PI27



ORDERING

	ALU	SGN	LED	0000	- EN	- 2W	- SS	- 30x15	- AT	- 3h	- 9003	- FT	- W1	- X	- PI21
Light source supply power:															
2W – LED strip powered by 2W															
4W – special version															
Luminaire type:															
SS – single sided															
DS – double sided (W2,C2) ¹⁾															
Safety sign dimension:															
30x15 – 30x15cm															
40x20 – 40x20cm															
60x30 – 60x30cm															
System variant:															
ST – standard															
AT – autotest															
CT – centraltest															
CB – centrally supplied luminaire															
CBAM – centrally supplied luminaire, with address module															
LVAM – centrally low voltage supplied luminaire, with address module															
Emergency operation time:															
1h – emergency operation time of 60 minutes															
3h – emergency operation time of 180 minutes															
X – not applicable (CB, CBAM, LVAM)															
Housing colour:															
9003 – <input type="radio"/> RAL 9003															
... – on special order															
Mounting:															
W1 – back to the wall															
W2 – side to the wall (semaphore)															
C2 – directly to the ceiling															
Luminaire distance from the wall:															
L005 – 5cm (W2)															
X – not applicable (W1, C2)															
Safety sign:															
NOP – plate without safety sign															
... – see table „SAFETY SIGNS“															
X – without PC plate															

¹⁾ In case of double-sided luminaire you have to buy two safety signs.

Note: The luminaire can not be installed without a safety sign.